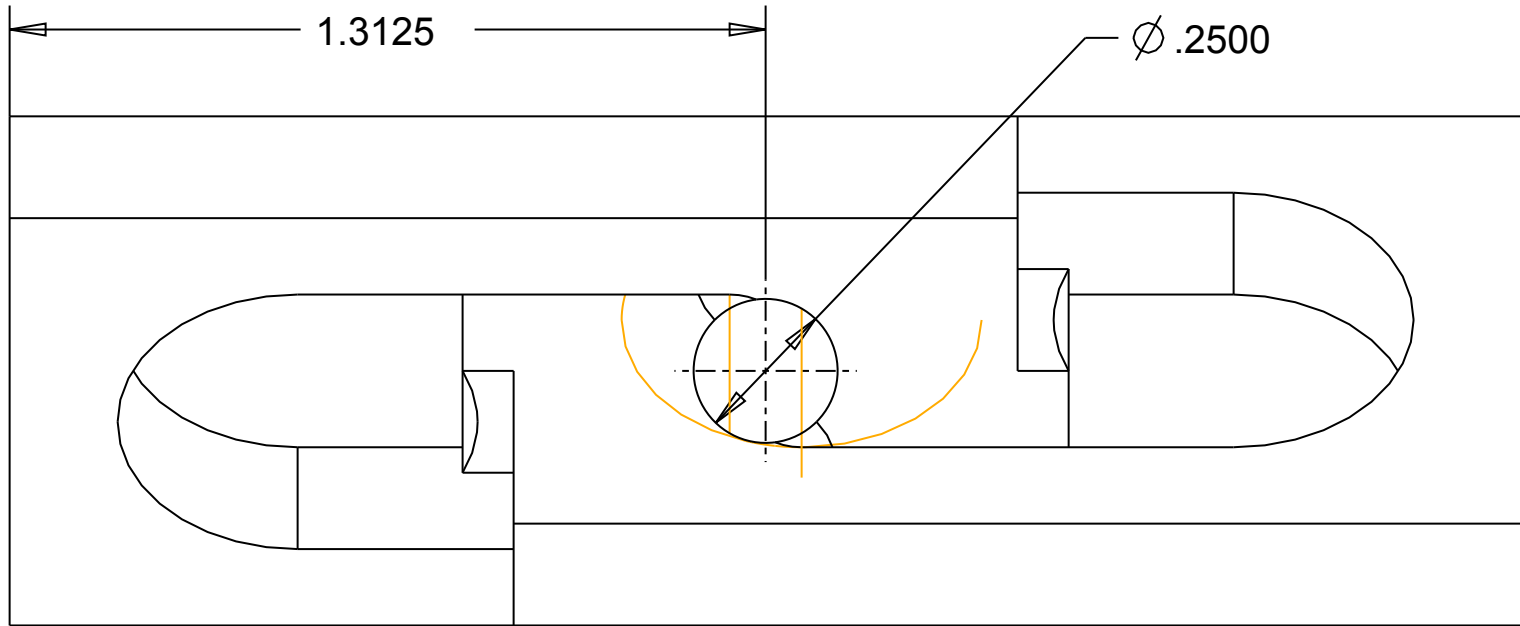


SCALE 2.500



OBLIQUE HOLES
BLOCK AT 45°

SCALE 3.000