

SCALE 0.090

PART #	DESCRIPTION	QTY	MATL
1	CROSS MEMBER 30"	3	1" X 2" RECT TUBE 1/8" WALL
2	CROSS MEMBER 34"	3	
3	CROSS MEMBER 39"	3	
4	CROSS MEMBER 44"	3	
5	CROSS MEMBER 49"	3	
6	BASE RAIL 55"	3	1 3/4 X 5 1/4" CHANNEL
7	VERTICAL SUPPORT 96"	3	1 1/2 X 4 1/4" CHANNEL
8	DIAGONAL STRAP	8	1/4 X 1 1/4" STEEL
9	3/8-16 X 1 1/2" BOLT	16	STEEL
10	1/2-13 X 2" BOLT	30	
11	1/2-13 X 1 1/2" BOLT	12	
12	1/2" FLAT WASHER	42	
13	3/8" FLAT WASHER	8	
14	3/8" LOCK WASHER	16	
15	1/2" LOCK WASHER	42	
16	3/8-16 HEX NUT	16	
17	1/2-13 HEX NUT	42	

ASSEMBLY VIEW, MATERIAL RACK, BOM

PART NAME	ADVANCED INNOVATIONS	UNITS	INCH	SHEET	OF
CUSTOMER	16238 RR 620 NORTH, SUITE F-221, AUSTIN, TEXAS 78717				

Advanced Innovations, LLC

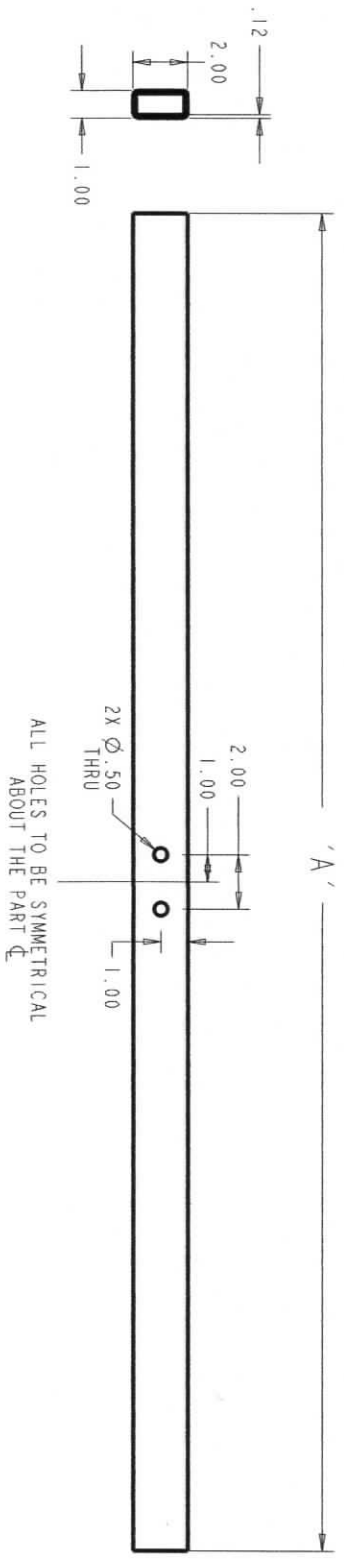
TOLERANCE UNLESS OTHERWISE SPECIFIED	ANGLE TOLERANCE	SURFACE FINISH	ENG. J. PECZYNSKI	DATE 7-11-2020	PER TABLE
.X .020	±.50°	32	THE INFORMATION CONTAINED IN THIS DRAWING ARE THE PROPERTY OF JOE PECZYNSKI AND ADVANCED INNOVATIONS LLC. THIS INFORMATION IS NOT TO BE SHARED, DUPLICATED OR TRANSMITTED TO OTHERS WITHOUT THE WRITTEN CONSENT OF ADVANCED INNOVATIONS.		

**NOTE: ALL FASTENERS UTILIZE LOCK WASHERS AND NUTS.
STRAP FASTENERS HAVE FLAT WASHERS ON BOTH SIDES OF THE STRAP.
HORIZONTAL CROSS MEMBERS USE FLAT WASHERS ON THE MEMBER SIDE ONLY.
BASE MEMBERS USE FLAT WASHERS ON THE INSIDE OF THE 5" BASE ONLY.**

PART #	REV.
--------	------

OPTIONAL FEATURE: ADDITIONAL HOLES MAY BE DRILLED IN THE TOP SURFACE OF THESE RAILS TO ACCEPT A BOLT. THE BOLT WILL ACT AS A STOP TO RESTRICT ROUND MATERIAL FROM ROLLING OFF THE SUPPORT.

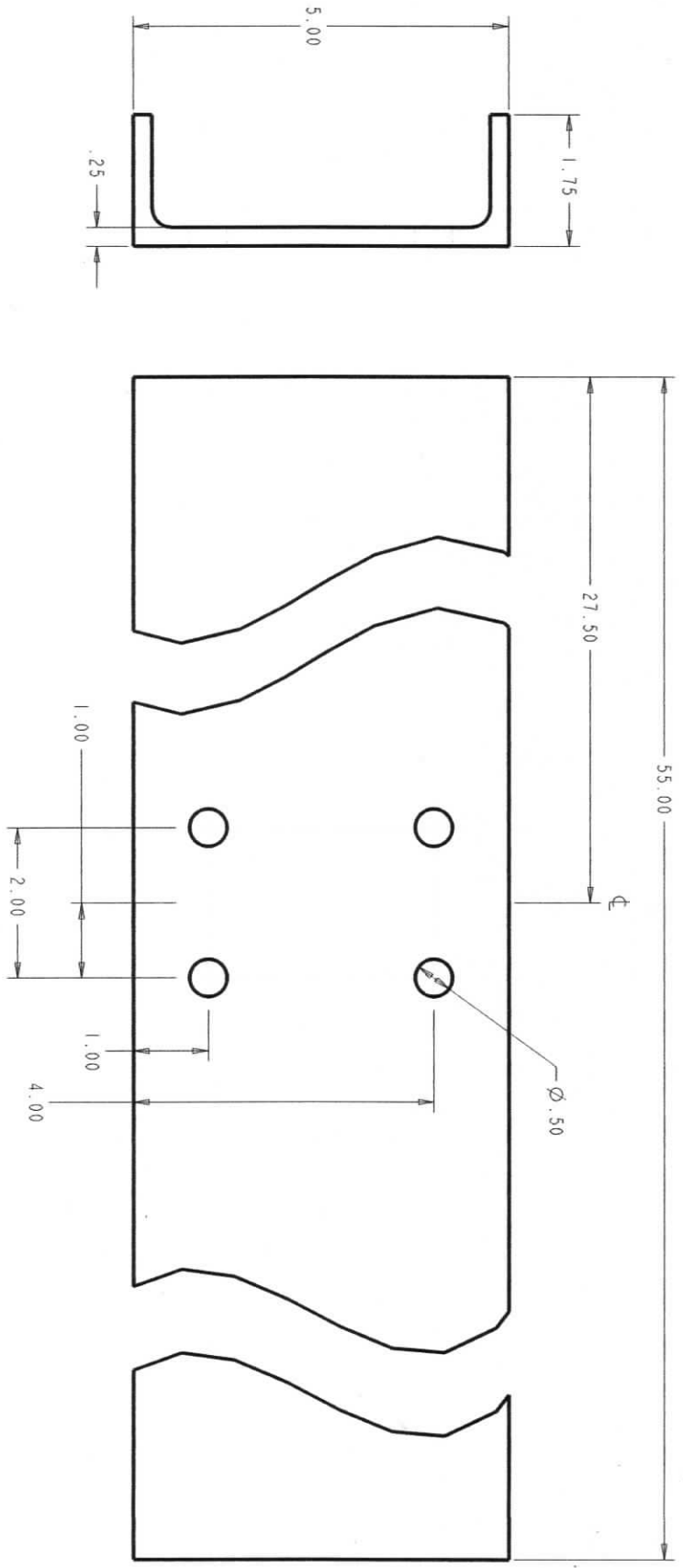
PART	LENGTH "	QTY
A	49	3
B	44	3
C	39	3
D	34	3
E	30	3



SCALE 0.300

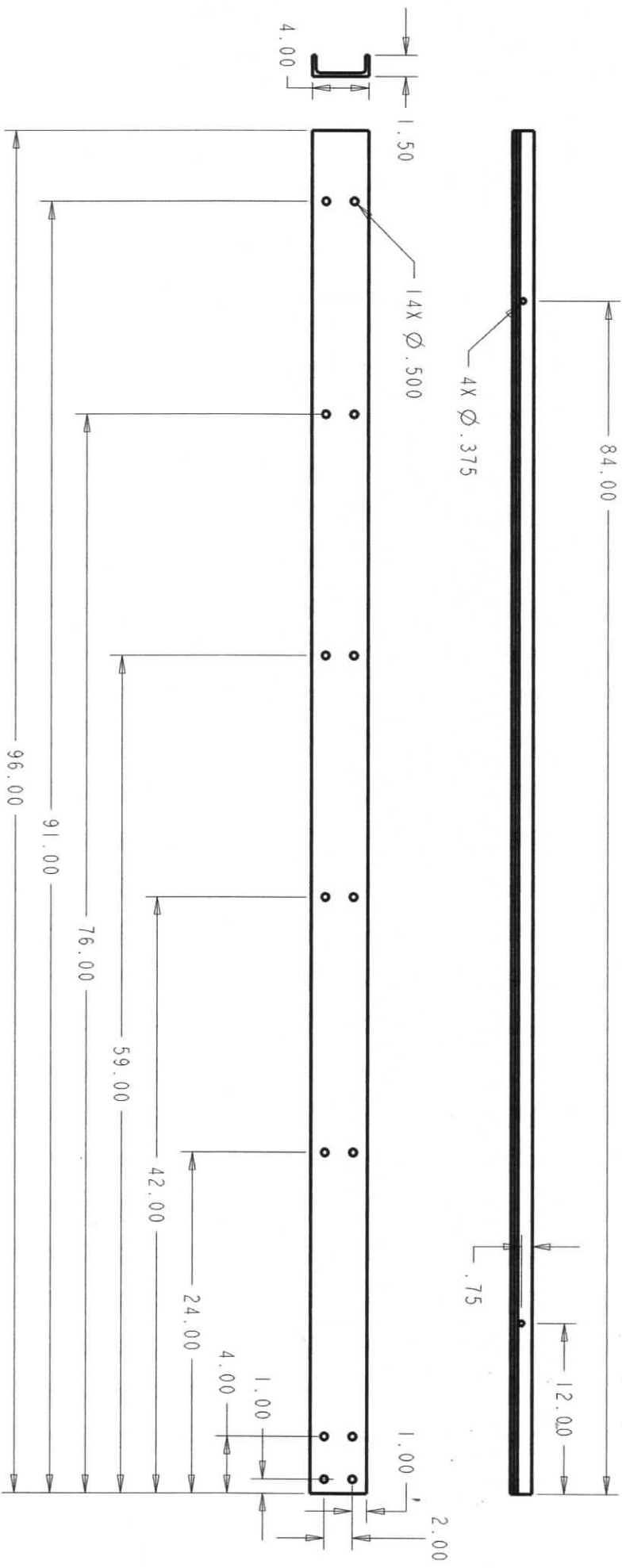
PART NAME		STOCK RACK, HORIZONTAL SUPPORTS	
CUSTOMER	ADVANCED INNOVATIONS	UNITS	INCH
16236 RR 620 NORTH, SUITE F-221, AUSTIN, TEXAS 78717		SHEET	OF
Advanced Innovations, LLC		DATE:	7-11-2020
TOLERANCE UNLESS OTHERWISE SPECIFIED		THE INFORMATION, DESIGN AND DIMENSIONS CONTAINED IN THIS DRAWING ARE THE PROPERTY OF ADVANCED INNOVATIONS AND SHALL NOT BE SHARED, REPRODUCED, COPIED, OR TRANSMITTED TO OTHERS WITHOUT THE WRITTEN CONSENT OF ADVANCED INNOVATIONS.	
ANGLE TOLERANCE	± .50°	PART #	REV.
SURFACE FINISH	32		
TOLERANCE	.XX .010		
	.XXX .005		

BROKEN VIEW FOR CLARITY



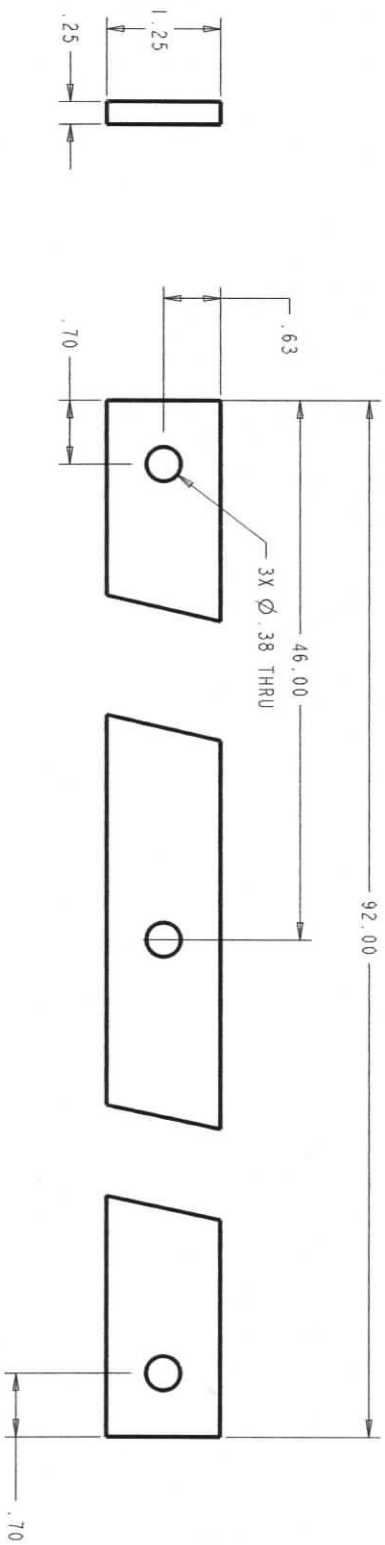
STOCK RACK, BASE SUPPORT

PART NAME		UNITS		SHEET		OF	
CUSTOMER		INCH		SHEET		OF	
ADVANCED INNOVATIONS							
16238 HW 620 NORTH, SUITE F-221, AUSTIN, TEXAS 78717							
Advanced Innovations, LLC							
TOLERANCE UNLESS OTHERWISE SPECIFIED		ANGLE TOLERANCE		SURFACE FINISH		DATE: 7-11-2020	
.XX .020		±.50°		32		MATERIAL	
.XXX .010						THE INFORMATION, DESIGN AND DIMENSIONS CONTAINED IN THIS DRAWING ARE THE PROPERTY OF ADVANCED INNOVATIONS. THIS INFORMATION IS NOT TO BE SHARED, DUPLICATED OR TRANSMITTED TO OTHERS WITHOUT THE WRITTEN CONSENT OF ADVANCED INNOVATIONS.	
.XXX .005						PART #	
						REV.	
						3	
						QTY.	



SCALE 0.150

PART NAME STOCK RACK, VERTICAL MEMBER		UNITS INCH		SHEET OF	
CUSTOMER ADVANCED INNOVATIONS		16238 RR 620 NORTH, SUITE F-221, AUSTIN, TEXAS 78717		MATERIAL	
Advanced Innovations, LLC		ENG. J. PIECZYNSKI		DATE: 7-11-2020	
TOLERANCE UNLESS OTHERWISE SPECIFIED		ANGLE TOLERANCE		SURFACE FINISH	
X .020		± .50°		32	
XX .010					
XXX .005					
THE INFORMATION, DESIGNS AND DIMENSIONS CONTAINED IN THIS DRAWING ARE THE PROPERTY OF JOE PIECZYNSKI AND ADVANCED INNOVATIONS LLC. THIS INFORMATION IS NOT TO BE SHARED, DUPLICATED OR TRANSMITTED TO OTHERS WITHOUT THE WRITTEN CONSENT OF ADVANCED INNOVATIONS.					
PART #		REV.		3	



PART NAME: STOCK RACK, DIAGONAL CROSS MEMBERS

CUSTOMER: ADVANCED INNOVATIONS

16238 RR 620 NORTH, SUITE F-221, AUSTIN, TEXAS 78717

Advanced Innovations, LLC

ENG: J. PIECZYNSKI DATE: 7/11/2020

THE INFORMATION, DESIGNS AND DIMENSIONS CONTAINED IN THIS DRAWING ARE THE PROPERTY OF JEC PIECZYNSKI AND ADVANCED INNOVATIONS, LLC. NO PART OF THIS DRAWING IS TO BE REPRODUCED OR TRANSMITTED IN ANY FORM OR BY ANY MEANS, WITHOUT THE WRITTEN CONSENT OF ADVANCED INNOVATIONS.

TOLERANCE UNLESS OTHERWISE SPECIFIED	ANGLE TOLERANCE	SURFACE FINISH	UNITS	INCH	SHEET	OF
.XX .010	± .50°	32				
.XXX .005						

QTY: 8

REV.